

ÆVIA

EIFFAGE
GÉNIE CIVIL



<https://supabizz.com/>

<https://www.eiffage-aevia.com/>



ETIC PRODUCTS®

With an experience of more than 30 years old, Ævia is recognized in France and other countries as a premier for design, manufacture and implementation of technical equipment in the field specialized civil engineering.

Whether it is new construction, repair or structural protection, the team's engineers and technicians extend their facilities to their clients by using their expertise in a wide range of specialized tasks as mentioning below.

- Post-stress of cables and bars
- Neoprene and mechanical supports
- Bridge Expansion joints
- Seismic Devices for the protection structures (shock absorber springs, etc.)
- Geotechnical tie-rods by cables and bars.

ETIC Expansion joints® are designed in order to ensure stability between two parts of a Bridge structure from movements caused by temperature and traffic loads. They are recognized for their rigidity, tightness, comfort, and low noise. The materials used in expansion joints are controlled at all stages according to ASTM, AASHTO, and European standards and are certified by many known organizations in the world.

ETIC Expansion joints® come in 4 categories

Two Extruded Alloy Aluminium Expansion Joint

Alloy Aluminium Sections.

Alloy Aluminium cantilever/ triangular

With several thousand meters of Expansion joints

ETIC® built structures in more than

20 countries in the world.

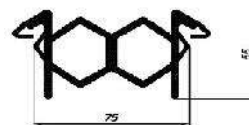
Extruded Alloy Aluminium expansion joints - EJ50S – EJ65S

Variation: 30 to 65 mm

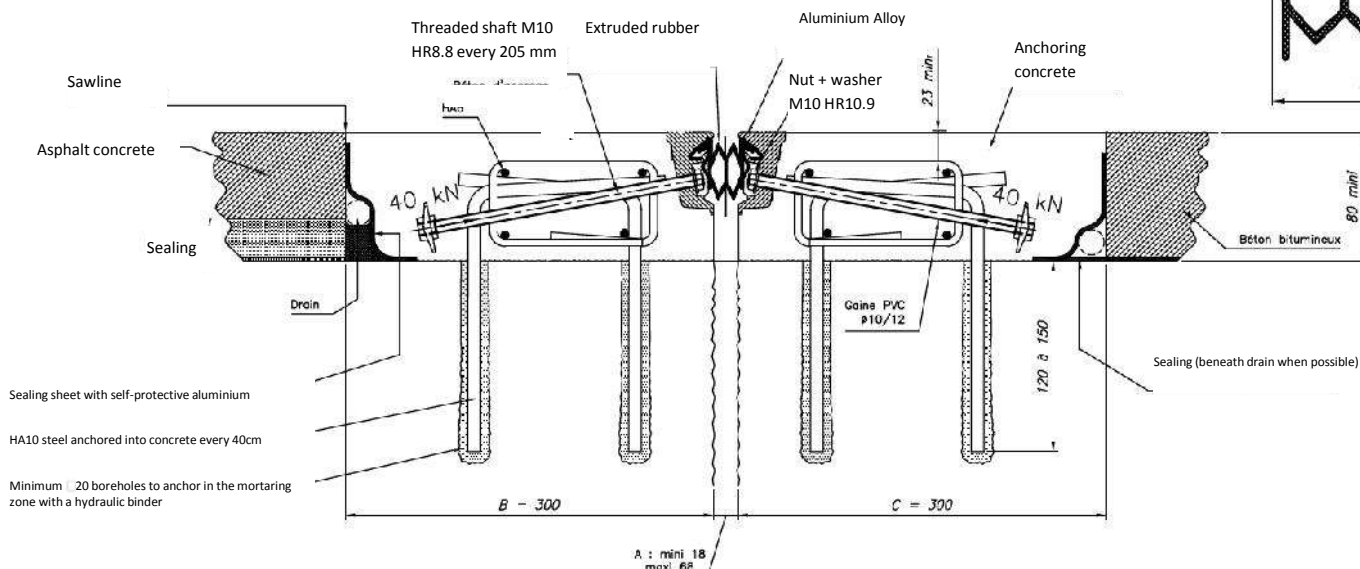
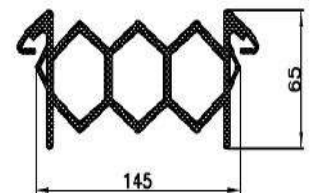
ETIC® EJ50S and EJ65S expansion joints come under the nosing expansion joint category. They consist of 2 aluminium alloy profiles, anchored into the reinforced micro-concrete beams and are linked to the structure using rebar connections. As each unit is 3 metres long, these sections are assembled and cut on site to create the full length of the expansion joint. The expansion joint is then anchored into the sill using post-tensioned rods with TREFLETIC anchor tubes. The elastomer profile provides watertightness between the 2 aluminium profiles.



EJ50S



EJ65S



Extruded Alloy Aluminium expansion joints – BJ5 – BJ6.5

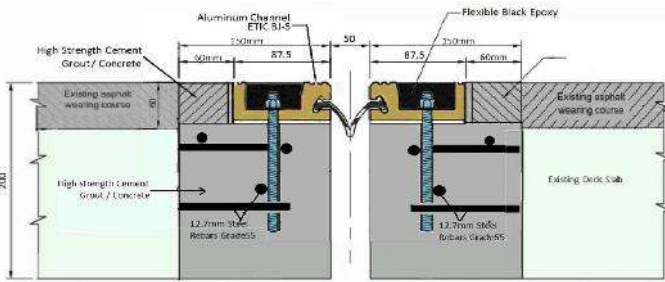
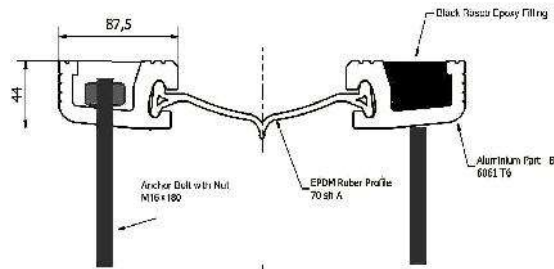
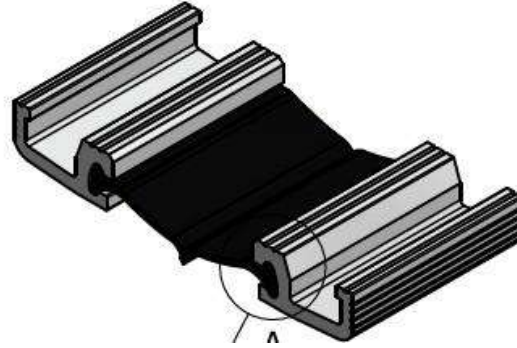
Variation: 30 to 65 mm

Mounting: without recess

Anchorage: standard

ETIC® BJ5 & BJ6.5 expansion joints come under the nosing expansion joint category. They consist of 2 aluminum alloy profiles, anchored and reinforced. The top of extruded alloy aluminum is filled with Raspa and epoxy resin beams. As each unit is 3 meters long, these sections are assembled and cut on site to create the full length of the expansion joint.

The elastomer profile provides watertightness between the 2 aluminium profiles.



A	B	E	H	h	m	e	N	L	S
Gap	Width	Saw width	Total depth	Mini-concrete depth	Anchorage length	Trefletic	Thickness	Rebate width	Concrete gap
mm	mm	mm	mm	mm	mm	mm	mm	mm	mm
25/75	200/250	345	240	150	185	N/A	44	150	20/70
25/90	200/265	345	240	150	185	N/A	44	150	20/85

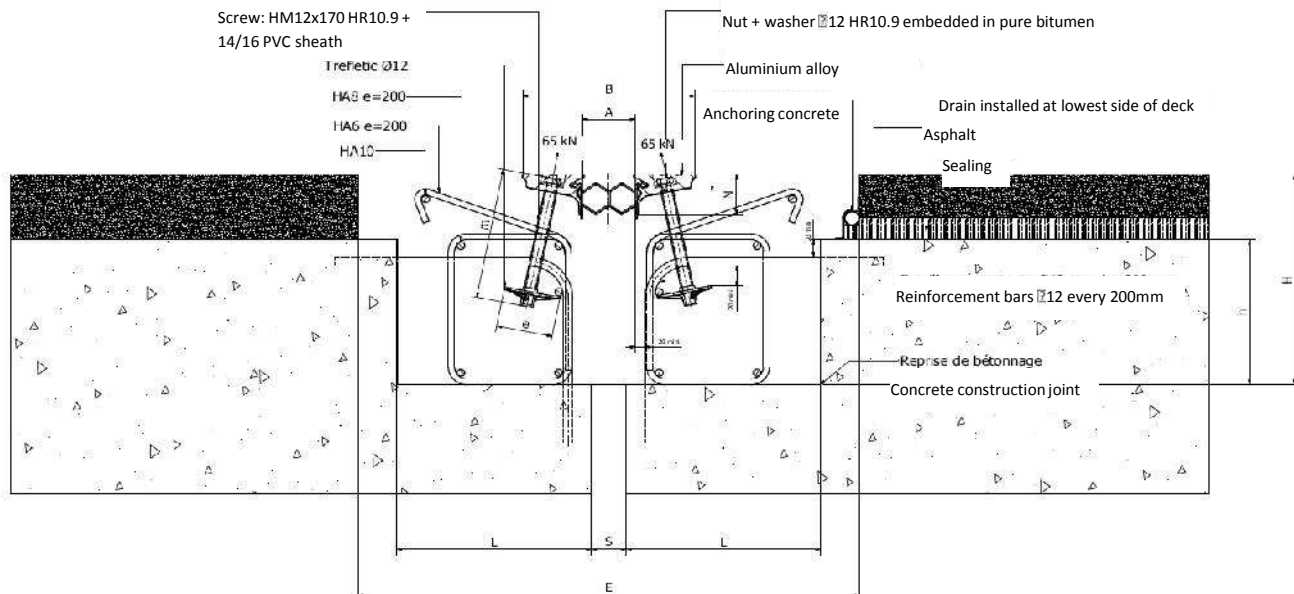
Extruded Alloy Aluminium expansion joints - EJX50 – EJX65 – EJX80

ETIC® EJX50 and EJX65 expansion joints come under the nosing expansion joint category.

They consist of 2 aluminum alloy profiles, anchored into the reinforced micro-concrete beams and are linked to the structure using additional bars. As each unit is 3 metres long, these sections are assembled and cut on site to create the full length of the expansion joint.

The expansion joint is then anchored into the sill using post-tensioned rods with TREFLETIC anchor tubes.

The elastomer profile provides watertightness between the 2 aluminum profiles.



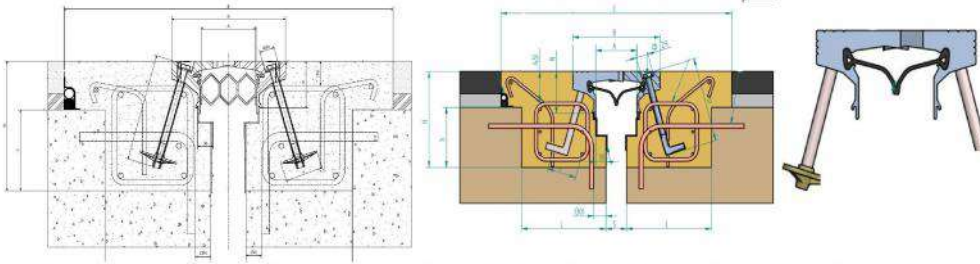
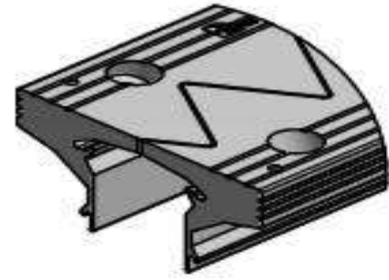
Aluminium Cantilever / Triangular Teeth Joints – EJ65-EJ80

Variation: 65 mm

Mounting: with recess

Anchorage: post-tensioned

The ETIC® EJ65 & EJ80 expansion joint comes under the Cantilever expansion joint category (or “finger” joint). It consists of 2 flame-cut aluminum alloy profiles, anchored into the reinforced micro-concrete beams and linked to the structure using additional bars. As each unit is 2/3 metres long, these sections are assembled and cut on site to create the full length of the expansion joint. The expansion joint is then anchored into the sill using post-tensioned rods with TREFLETIC anchor tubes or L type steel anchors. The elastomer profile fixed beneath the “fingers” provides perfect watertightness between the 2 aluminum profiles.



A	B	E	H	h	m	e	N	L	S
Gap	Width	Saw width	Total depth	Mini-concrete depth	Anchorage length	Trefletic	Thickness	Rebate width	Concrete gap
mm	mm	mm	mm	mm	mm	mm	mm	mm	mm
65/130	182/247	600	240	150	185	70	90	210	20/85
98/178	210/290	600	240	150	185	L	100	210	20/100

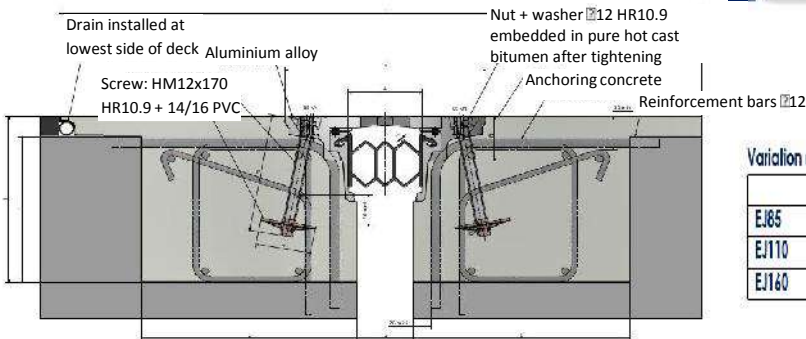
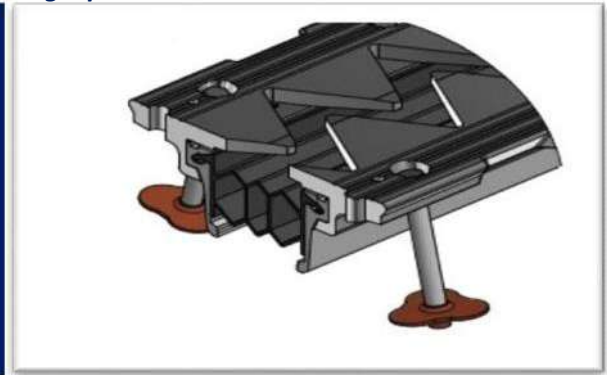
Aluminium Cantilever / Triangular Teeth Joints - EJ85 - EJ110 - EJ160

Variation: 85 to 160 mm

Mounting: with recess

Anchorage: post-tensioned

ETIC® EJ85, EJ110 and EJ160 expansion joints come under the Cantilever expansion joint category (or “finger” joint). They consist of 2 molded aluminum profiles, anchored into the reinforced micro-concrete beams and linked to the structure using additional bars. As each unit is 1 metre long, these sections are assembled and cut on site to create the full length of the expansion joint. The expansion joint is then anchored into the sill using post-stressed rods with TREFLETIC anchor tubes. The elastomer profile, anchored in a lower aluminum component (patented device), provides perfect watertightness between the 2 aluminum profiles.



Variation capacity according to skew angle:

	100 gr	80 gr	60 gr	40 gr
EJ85	85 mm	84 mm	92 mm	85 mm
EJ110	110 mm	115 mm	103 mm	91 mm
EJ160	160 mm	168 mm	158 mm	141 mm

Type	A		B		s		h	l	m	TIM screw	C	
	mini	maxi	mini	maxi	mini	maxi					mini	maxi
EJ 85	85	170	205	290	25	105	200	250	190	12x170	570	655
EJ 110	110	220	260	370	35	145	200	300	248	16x250	680	790
EJ 160	160	320	356	516	50	210	280	300	301	22x250	690	850

Aluminium Cantilever Joints - EJ200 - EJ250 - EJ300

Variation: 200 to 300 mm

Mounting: with recess

Anchorage: post-tensioned

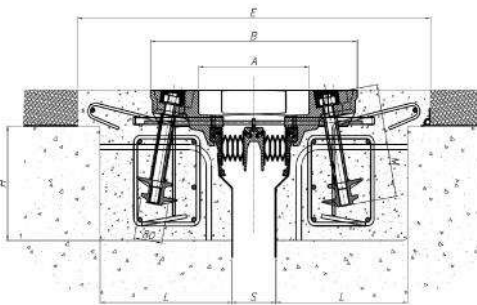
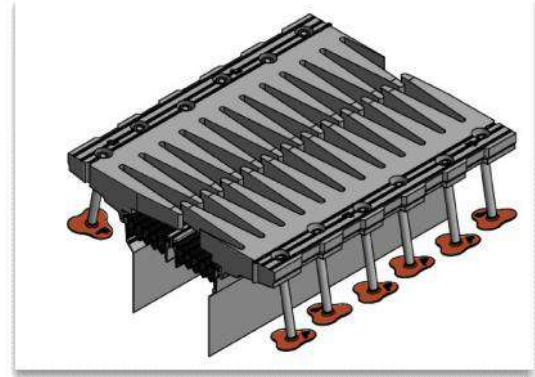
The ETIC® EJ200 EJ250 and EJ300 expansion joints come under the Cantilever expansion joint category (or “finger” joint).

They consist of 2 molded aluminum profiles, anchored into the reinforced micro-concrete beams and linked to the structure using additional bars. As each unit is 1 metre long, these sections are assembled and cut on site to create the full length of the expansion joint.

The expansion joint is then anchored in the sill using post-tensioned rods with TREFLETIC anchor tubes.

The elastomer profile anchored in a lower aluminum component (patented device) provides perfect watertightness between the 2 aluminum profiles. An intermediate aluminum element further secures the elastomeric profiles.

These expansion joints can also be equipped with a membrane device for water recovery.



Type	A		B		S		H	L	M	E	
	mini	maxi	mini	maxi	mini	maxi				mini	maxi
EJ 200	200	400	420	620	50	250	250	300	250	750	950
EJ 250	250	500	510	760	50	300	250	350	300	750	1000
EJ 300	300	600	600	900	50	350	300	350	300	850	1150

Galvanized steel Cantilever joints EJF

Variation: 150 to 800 mm

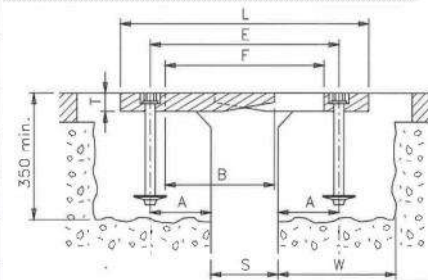
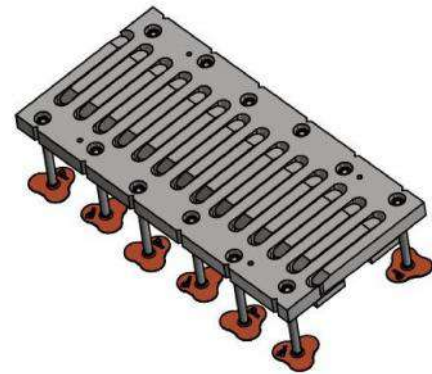
Mounting: with recess

Anchorage: post-tensioned

The ETIC® EJF expansion joints come under the galvanized steel Cantilever expansion joint category (or “finger” joint). They are anchored into the reinforced micro-concrete beams using additional rods, as well as post-tensioned rods with TREFLETIC anchor tubes.

These expansion joints are equipped with an elastomeric membrane for water recovery.

This product range is “tailor-made” using flame cutting and can hence be adapted to all types of structures. This is notably the case for the most pronounced skew angles.



Type	S		E		F		L		A	W	T	B
	mini	maxi	mini	maxi	mini	maxi	mini	maxi				
EJF 200	50	250	300	500	200	400	460	660	125	250	45	200
EJF 250	50	300	350	600	250	500	520	770	150	290	50	250
EJF 300	50	350	405	705	300	600	595	895	180	320	50	300
EJF 350	50	400	460	840	350	700	650	1000	205	350	55	350
EJF 400	50	450	530	890	400	800	730	1130	240	390	60	400
EJF 450	50	500	570	1020	450	900	790	1240	260	420	65	450
EJF 500	50	550	630	1130	500	1000	880	1380	290	460	70	500
EJF 600	50	650	740	1340	600	1200	1000	1600	345	520	80	600

AEVIA

3-7 place de l'Europe
78 140 Vélizy-VillacoublayT.

+33 (0)1 34 65 89 89

www.eiffage-aevia.com



For Contact:



+92 (042) 37186 375



info@supabizz.com



www.supabizz.com

SUPABIZZ

Pakistan's Representative
for

EIFFAGE